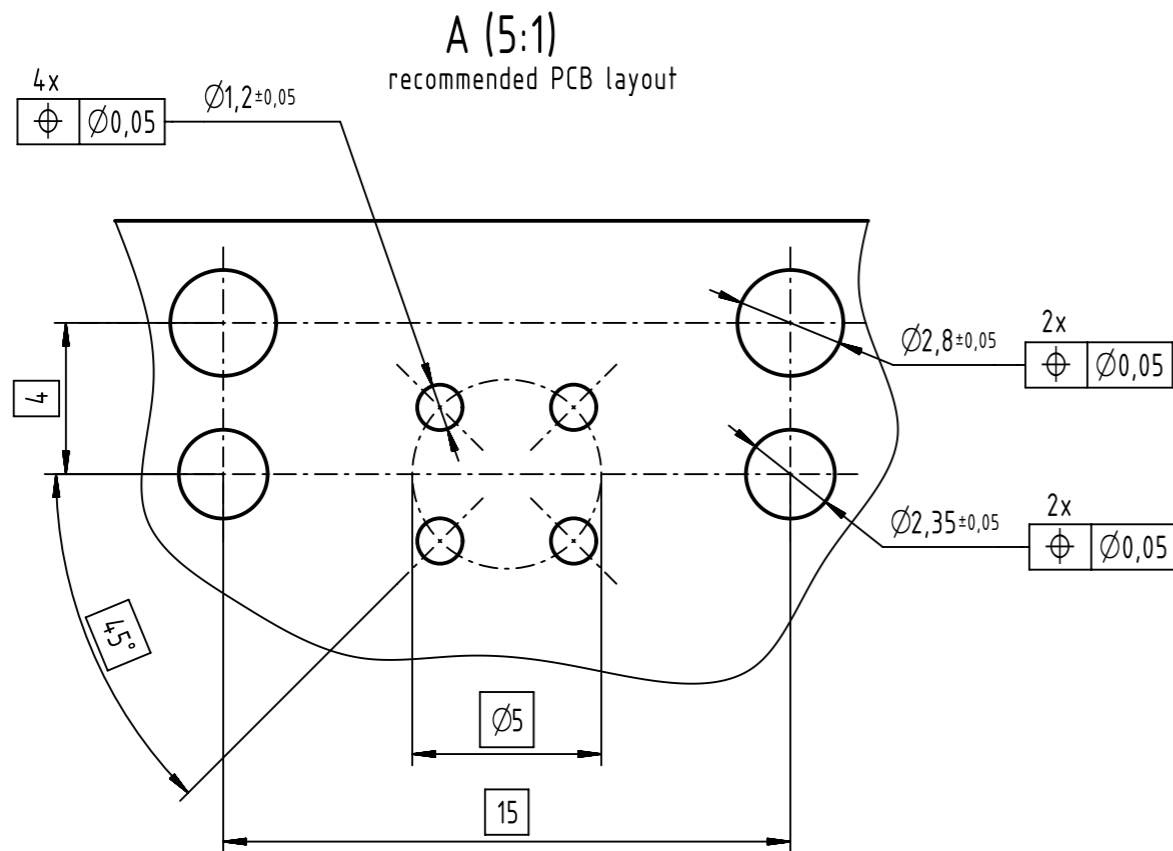
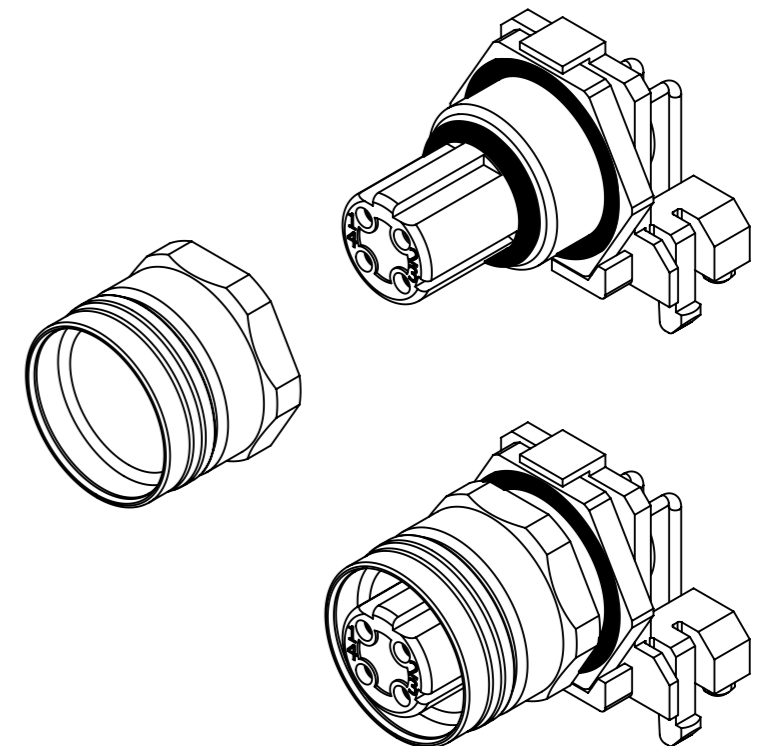
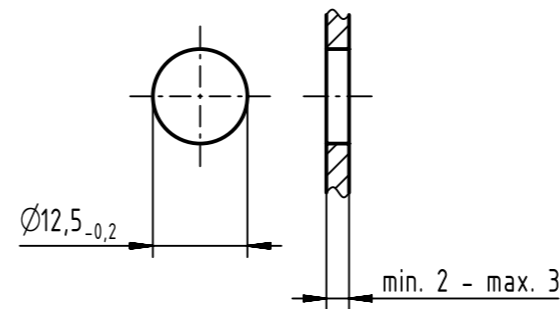


panel cut out  
(1:1)



1 recommended PCB thickness 1,6mm

-10 pcs. package

	All rights reserved Department EC PD - DE	All Dimensions in mm Original Size DIN A3	Scale 2:1	Free size tol.	Ref. Sub.
	HARTING Electronics GmbH D-32339 Espelkamp	Created by EISFELD	Inspected by HARLASS	Standardisation HOFFMANN	Date 2018-01-05
Title M12-PCB-THT-2PC-4P-DCOD-F-ANG		Type TB		Number 21433714451	State Final Release
Doc-Key / ECM-Nr. 100758425/UGD/000/A 500000129662					Rev. A
					Page 1/1